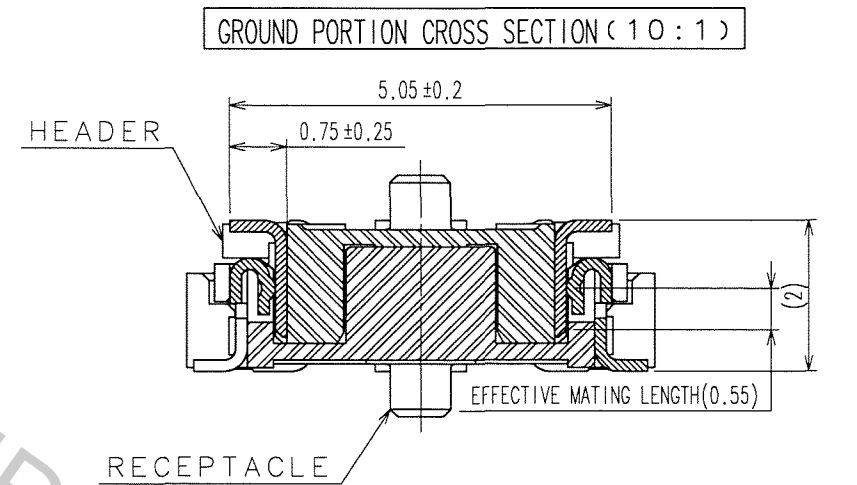
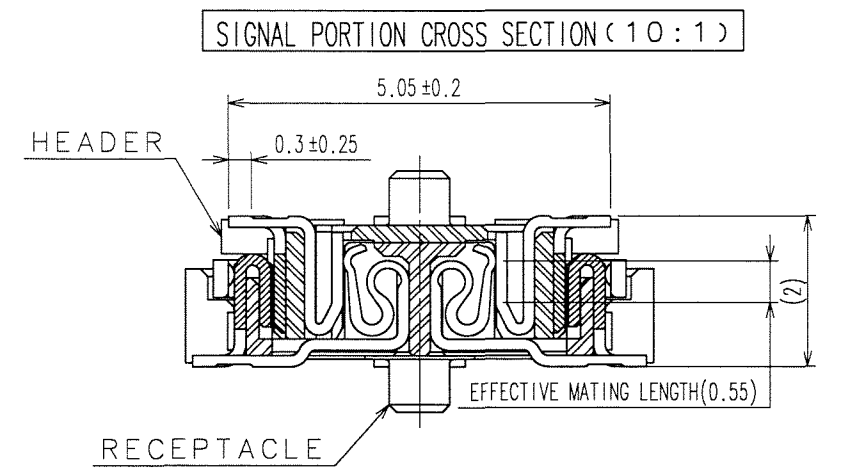
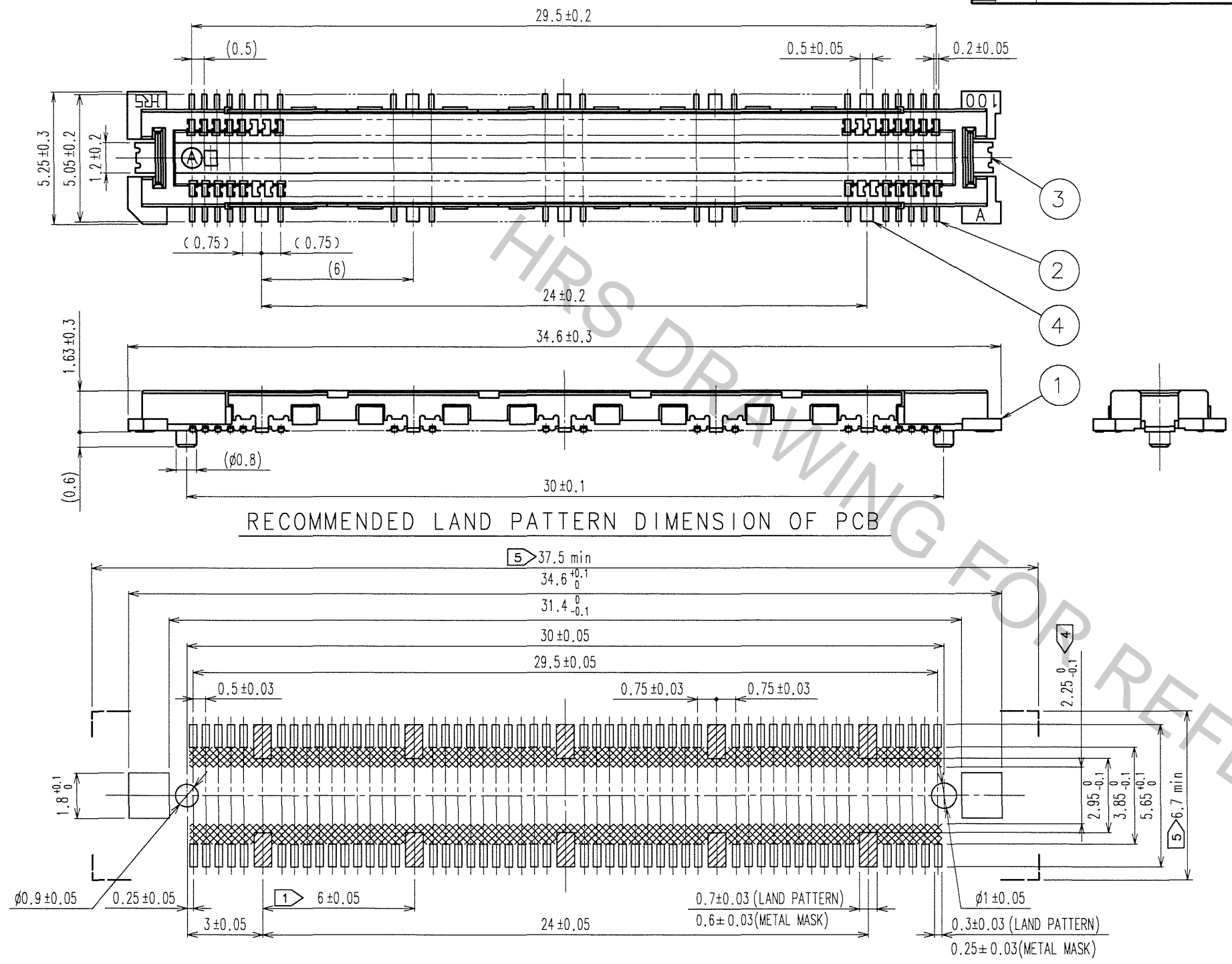


Apr.1.2017 Copyright 2017 HIROSE ELECTRIC CO., LTD. All Rights Reserved.

COUNT	DESCRIPTION OF REVISIONS	BY	CHKD	DATE	COUNT	DESCRIPTION OF REVISIONS	BY	CHKD	DATE
1	DIS-F-001888	K.D	H.O	07.04.19					



- NOTES
- ① 10 HATCHED PARTS:GROUND CIRCUIT.
  - 2 SMT LEAD-COPLANARITY:0.1 MAX.
  - 3 THIS PRODUCT HAS NO POLARITY TO PATTERN FOR MOUNTING.
  - ④ MAKE SURE WIDTH OF PATTERN IS WITHIN THAT OF LAND ,OR LEAD MAY TOUCH PATTERN.(THIS APPLIES TO HATCHED AREA.)
  - ⑤ DO NOT MOUNT OTHER DEVICES ONTO AREA ,OR MATING PAIR CANNOT BE MATED.
  - 6 THE DIMENSIONS IN PARENTHESES ARE FOR REFERENCE.

NO.	MATERIAL	FINISH, REMARKS	NO.	MATERIAL	FINISH, REMARKS
1	LCP	BEIGE UL94V-0	4	PHOSPHOR BRONZE	TIN PLATING
			3	PHOSPHOR BRONZE	TIN PLATING
			2	COPPER ALLOY	CONTACT AREA : GOLD 0.1μm min. LEAD AREA : GOLD FLASH UNDER PLATING : NICKEL 1μm min.

CODE NO.(OLD)	DRAWN	DESIGNED	CHECKED	APPROVED	RELEASED
CL	K.DOI	K.DOI	H.OZAWA	H.OKAWA	
	'05-09-02	'05-09-02	'05-09-02	'05-09-02	

SCALE	DRAWING NO.	PART NO.
5 : 1	EDC3-152094-25	FX11LA-100P/10-SV(71)
UNITS mm	<b>HRS</b> HIROSE ELECTRIC CO.,LTD.	CODE NO. CL573-0004-2-71

TO