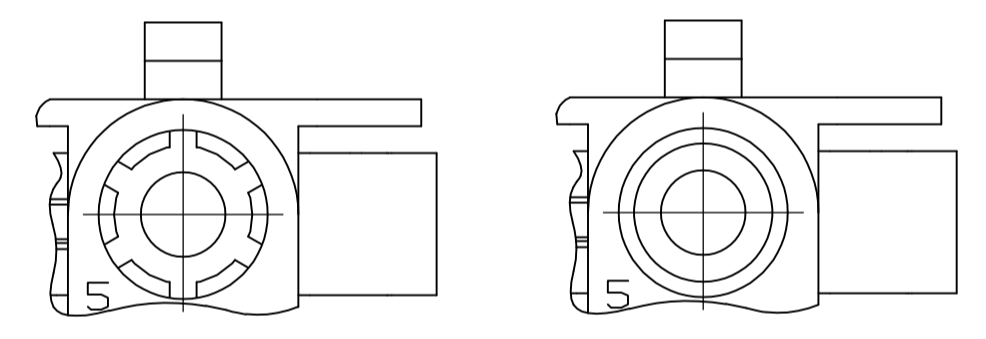
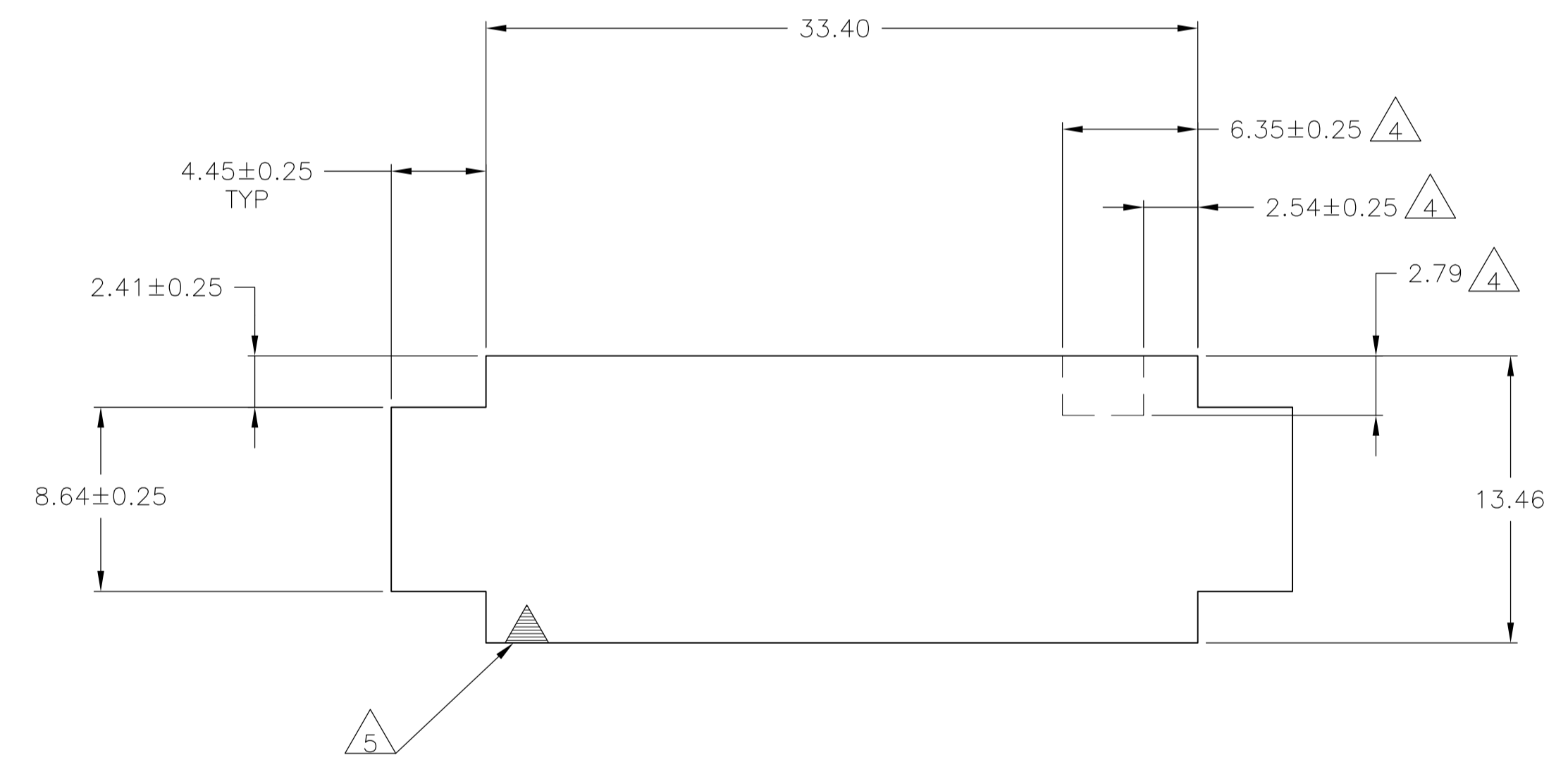
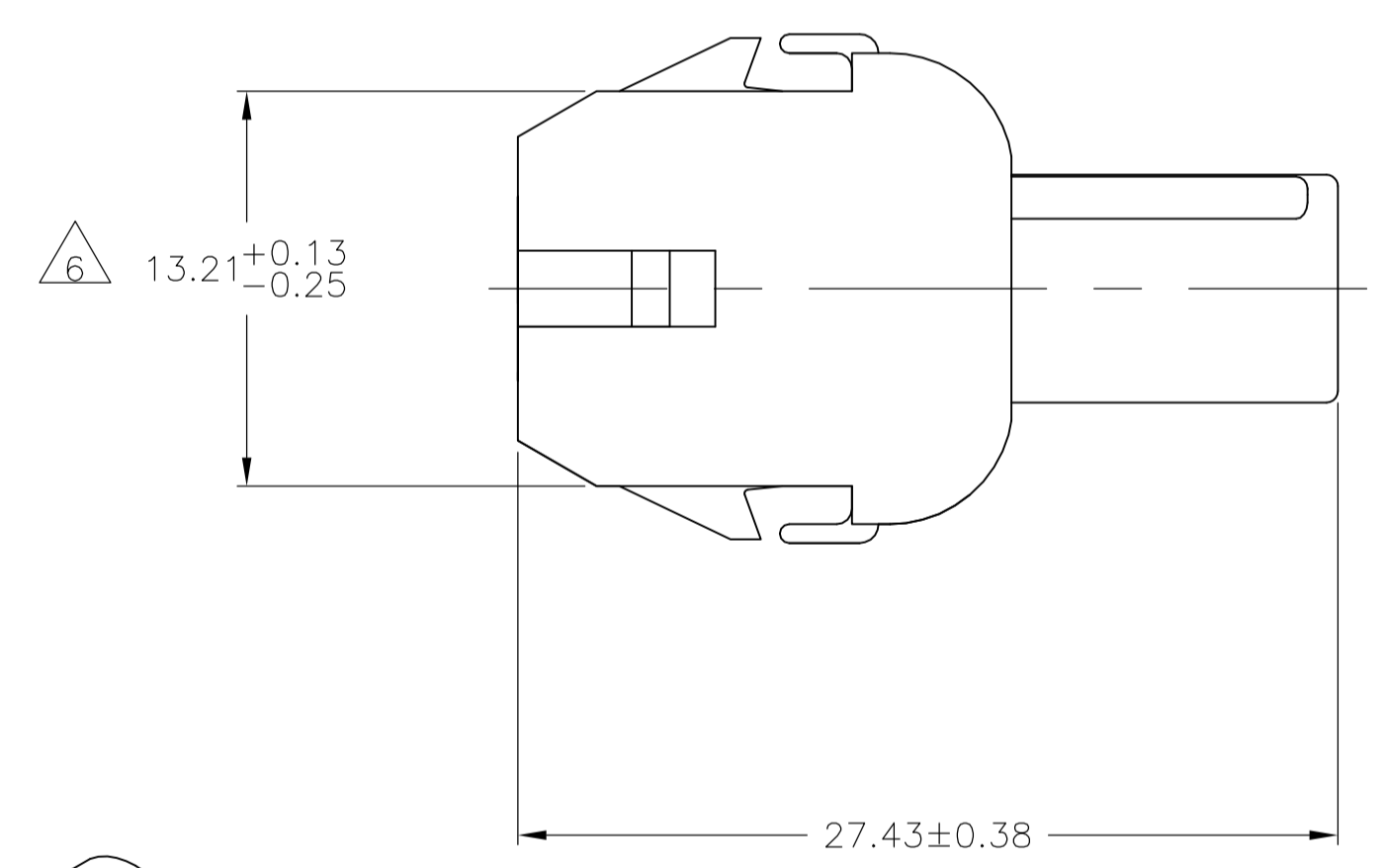


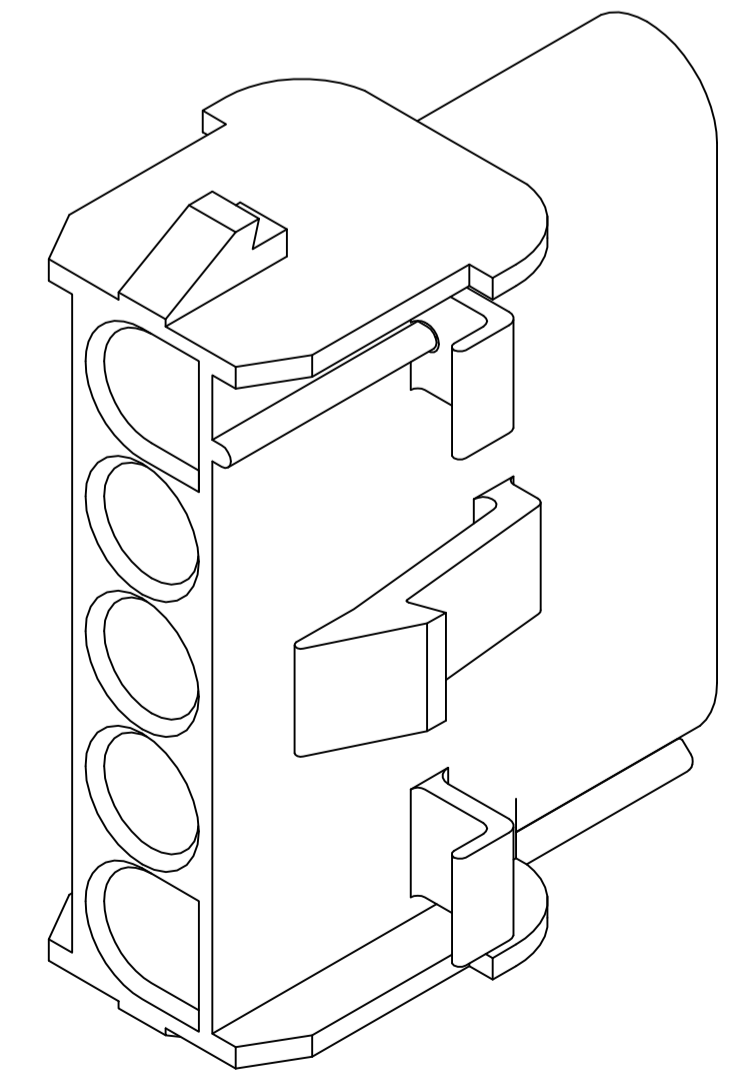
- MATES WITH APPROPRIATE UNIVERSAL MATE-N-LOK™ PLUG.
 - RECOMMENDED PANEL THICKNESS 0.76 - 2.29.
 - PANEL MUST BE PUNCHED SO THAT THE HOUSING ENTERS THE PANEL IN THE SAME DIRECTION AS THE PUNCH.
- △4 OPTIONAL FOR KEYING HOUSING IN PANEL.
 - △5 CIRCUIT NUMBER 1 LOCATION.
 - △6 DIMENSION INDICATED IS AS MOLDED. ADDITIONAL GROWTH DUE TO SUBSEQUENT MOISTURE ABSORPTION MAY OCCUR.
 - △7 FOUR RIBS EQUALLY SPACED, NO SPECIFIC ORIENTATION. NO RIBS OR SIX RIBS EQUALLY SPACED, NO SPECIFIC ORIENTATION, OPTIONAL.
 - △8 UNDERWRITERS RECOGNIZED COMPONENT LOGO AND CSA CERTIFICATION LOGO TO BE LOCATED ONCE EACH ON SIDE OF HOUSING.



DETAIL E
OPTIONAL CONSTRUCTIONS



RECOMMENDED PANEL CUT OUT

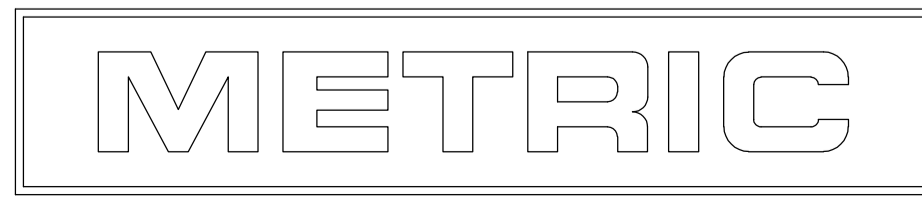


3-DIMENSIONAL MODEL
NTS

4.45	.175	33.40	1.315
2.79	.110	33.02	1.300
2.54	.100	27.43	1.080
2.41	.095	13.46	.530
2.29	.090	13.21	.520
0.76	.030	8.64	.340
0.38	.015	8.13	.320
0.25	.010	7.62	.300
0.13	.005	6.35	.250
MM	IN	MM	IN

CONVERSION TABLE

BLACK	1-350810-9
GRAY	1-350810-8
BLUE	1-350810-6
GREEN	1-350810-5
YELLOW	1-350810-4
ORANGE	1-350810-3
RED	1-350810-2
BROWN	1-350810-1
NATURAL	350810-1
COLOR	PART NUMBER



THIS DRAWING IS A CONTROLLED DOCUMENT.

DIMENSIONS:	TOLERANCES UNLESS OTHERWISE SPECIFIED:	DWG: K. WHITAKER 07JUL92	CHK: R. SWING 07JUL92	APVD: D. SELF 08JUL92	NAME: CAP.5 CIRCUIT, UNIVERSAL MATE-N-LOK™
mm	0. PLC ± - 1. PLC ± - 2. PLC ± 0.13 3. PLC ± - 4. PLC ± - ANGLES ± 1°	SIZE: A1	CAGE CODE: 00779	DRAWING NO: C=350810	RESTRICTED TO: -
MATERIAL: NYLON,UL 94V-0	FINISH: -	WEIGHT: -	SCALE: 4:1	SHEET: 1 OF 1	REV: W2

CUSTOMER DRAWING