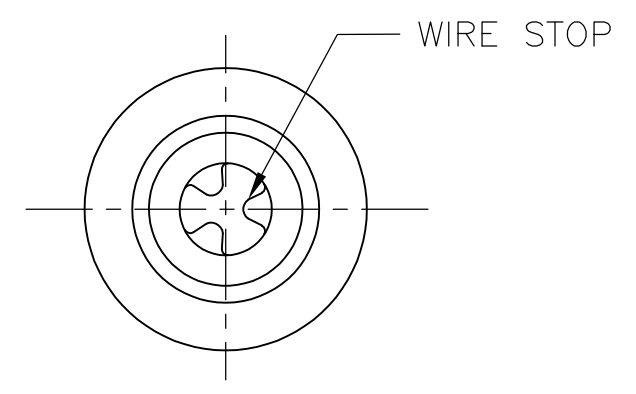
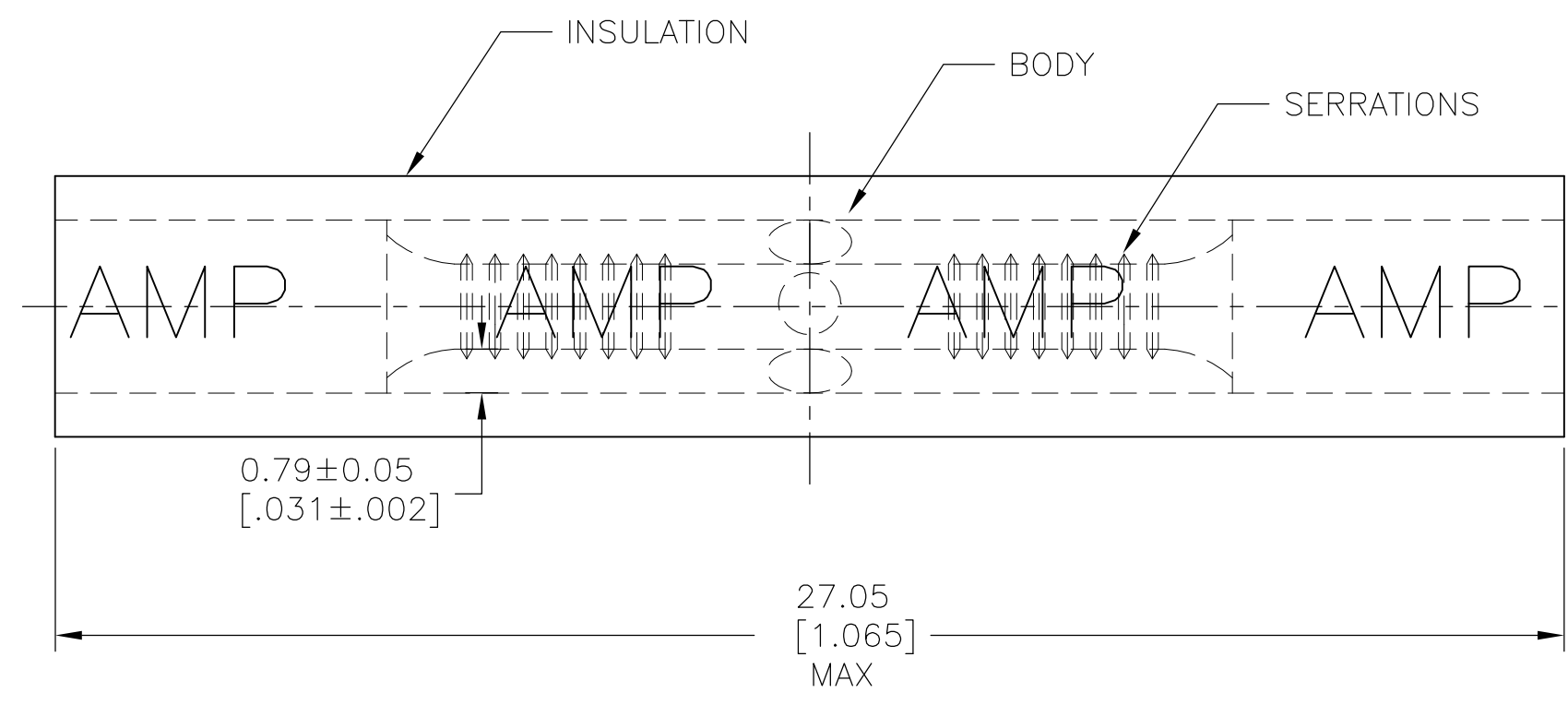


THIS DRAWING IS UNPUBLISHED. RELEASED FOR PUBLICATION
 © COPYRIGHT - By - ALL RIGHTS RESERVED.

LOC	DIST	REVISIONS			
P	LTR	DESCRIPTION	DATE	DWN	APVD
G	-	G2	REDRAW PER ECO-11-020548	02FEB12	KH DR

- FOR 2.03[.080] TO 3.05[.120] WIRE INS. DIA
- MARKING 22-18 FOR MILITARY COMMERCIAL RANGE 22-16



100	LOOSE PC,BOX	BODY: COPPER PER ASTM B152 TIN PLATE PER ASTM B545 INSULATION: PVC COLOR: RED	8-34067-1
2500	34067 ON TAPE		2-34067-1
1000	LOOSE PIECE		34067
QTY	PACKAGE TYPE	MATERIAL & FINISH	PART NO

THIS DRAWING IS A CONTROLLED DOCUMENT.		DWN KIRAN HOLAL 02FEB12	STE TE Connectivity	
DIMENSIONS: mm [INCHES]		CHK ROHDE DANIEL 02FEB12		
TOLERANCES UNLESS OTHERWISE SPECIFIED:		APVD ROHDE DANIEL 02FEB12	NAME	
0 PLC ± -		PRODUCT SPEC	WIRE SPLICE PLASTI GRIP, BUTT, WIRE SIZE: 22-16	
1 PLC ± -		APPLICATION SPEC	SIZE	
2 PLC ± -		WEIGHT	CAGE CODE	DRAWING NO
3 PLC ± 0.20[.008]		CUSTOMER DRAWING	A300779	C-34067
4 PLC ± -				
ANGLES ± 5°		SCALE 8:1		SHEET 1 OF 1
MATERIAL SEE TABLE	FINISH -	REV G2		