

4

3

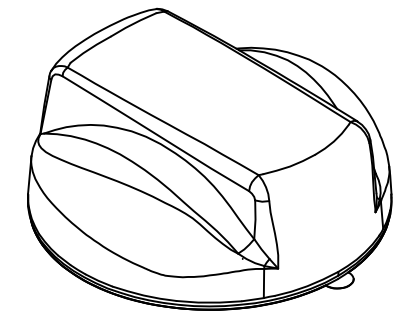
2

1

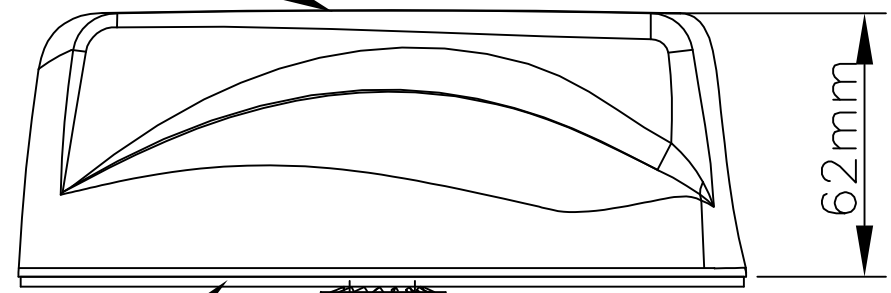
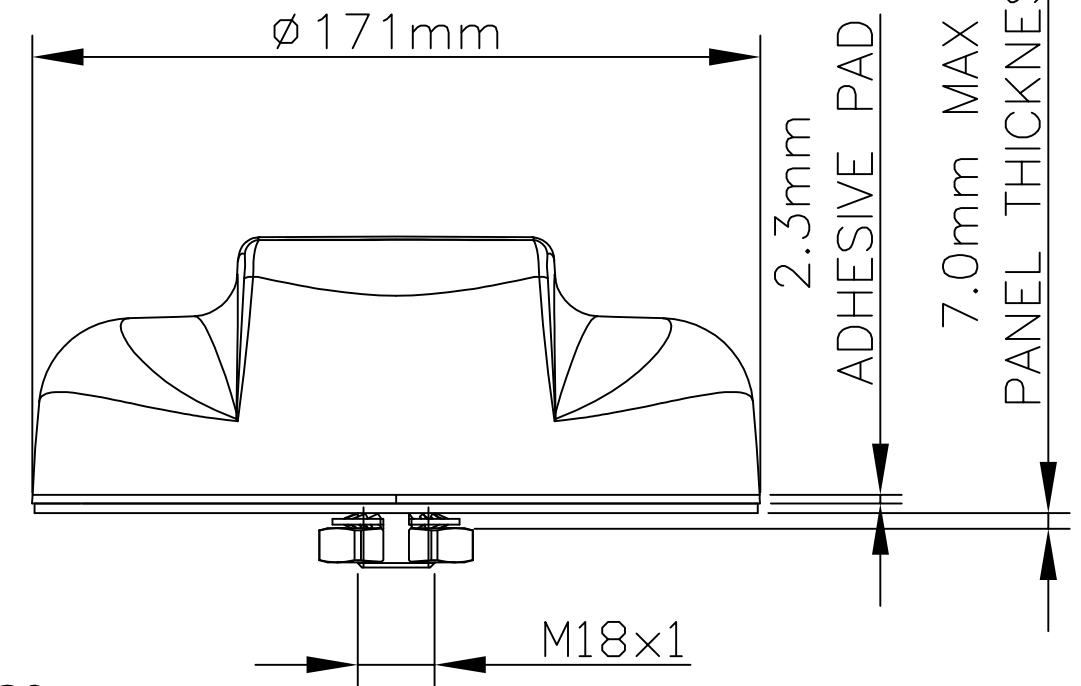
THIS DRAWING IS UNPUBLISHED.		RELEASED FOR PUBLICATION		FEB ,2006.	
© COPYRIGHT 2006 By -		ALL RIGHTS RESERVED.			
PROJECT	PRJ-16-000905033				
PART NO	X-2823595-X				
HV DESC	MiMo with GPS,LOW PROFILE,2G/3G/4G				
CUSTOMER	GENERAL MARKET				

REVISIONS					
P	LTR	DESCRIPTION	DATE	DWN	APVD
	A1	REVISED PER ECR-16-014891	25NOV16	KK	GG

HOUSING MOULDED IN
WHITE A.S.A



ISO VIEW



62mm

BASE: ALUMINUM

SLOTTED NUT AND
SHAKE PROOF WASHER

CS29 COAX CABLE
300mm LONG
(2 POSITIONS)

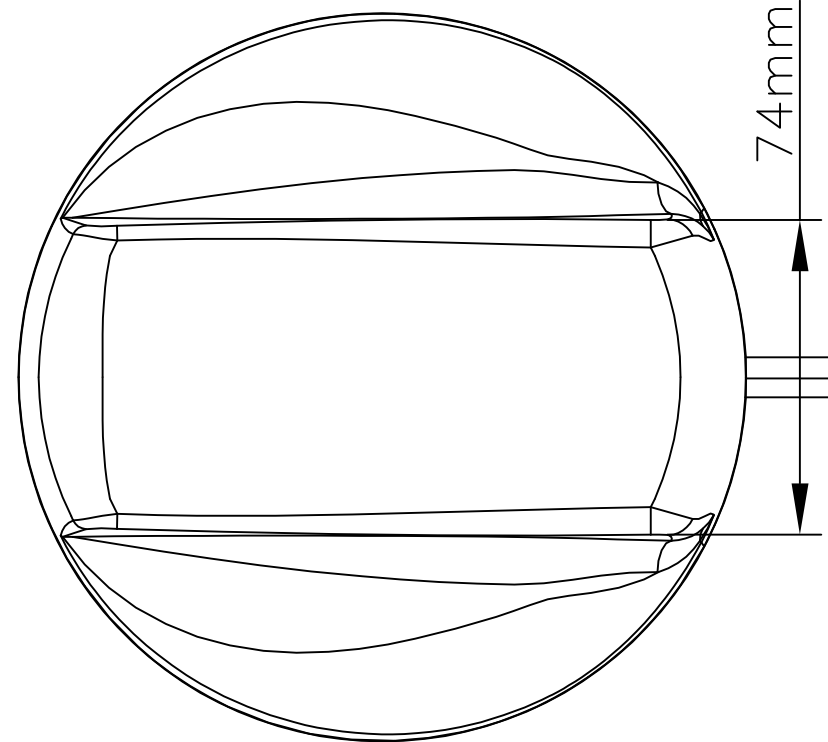
SMA PLUGS

RG174 COAX CABLE
300mm LONG

FME JACK

NOTES:

1. ALL PARTS MUST BE RoHS COMPLIANT AND MUST NOT CONTAIN ANY SUBSTANCES OF VERY HIGH CONCERN (SVHCs) LISTED UNDER REACH OR POLYAROMATIC HYDRACARBONS (PAHs) OR PERSISTENT ORGANIC POLLUTANTS (POPs) CONTROLLED BY THE STOCKHOLM CONVENTION.
2. WEIGHT 480g(Approx)
3. FOR INSTALLATION INSTRUCTIONS,PLEASE REFER 408-156027
- 4.OPERATING FREQUENCIES:
CELL FEED 1: 698-960 / 1710-2700 MHz
CELL FEED 2: 698-960 / 1710-2700 MHz
GPS FEED 3: 1575 MHz 26dB LNA



74mm

1-2823595-2	MiMo with GPS,LOW	BLACK COLOR
1-2823595-1	PROFILE,2G/3G/4G	WHITE COLOR
TE PN'S	DESCRIPTION	REMARKS

THIS DRAWING IS A CONTROLLED DOCUMENT.		DWN	GUNA	20MAY2016	
		CHK	GUNA	20MAY2016	
		APVD		04MAR2016	
		PRODUCT SPEC			
DIMENSIONS: mm		TOLERANCES UNLESS OTHERWISE SPECIFIED:		NAME	
		0 PLC	± 5	TRANSIT ANTENNA	
		1 PLC	± -	MiMo with GPS,LOW PROFILE,2G/3G/4G	
		2 PLC	± -	SIZE	
		3 PLC	± -	CAGE CODE	
		4 PLC	± -	DRAWING NO	
		ANGLES	± -	RESTRICTED TO	
MATERIAL		FINISH		A3 00779 C-2823595	
				CUSTOMER DRAWING	
				SCALE	SHEET
				NTS	1 OF 1
					REV
					A1