



<http://www.bobbintron.com>

BOBBINTRON ELECTRICAL CORPORATION

SPECIFICATION FOR APPROVED

APPROVED SIGNATURE
DATE :

CUSTOMER : DIGI **PART NO :** 24000115 **REV.** A

DESCRIPTION : AC to DC 43Watt Converter

PLEASE SIGN AND RETURN ONE COPY.

**ALL PRODUCTION UNITS WILL BE BUILT ACCORDING
TO THIS SPECIFICATIONS.**

MODEL NO: AP0431-T12 -01

AGENCY APPROVAL: _____

PRESENTED BY: Ben Yang **NO.** _____

CHECKED BY: JOHNSON LIN

APPROVED BY: MICHAEL CHEN

DATE : 09/04/2012

19F, NO.102, HSIN TAI WU ROAD SEC.1, HSIH-JR CITY, TAIPEI HSIEN, TAIWAN.

TEL# (886)2-2696-0007

FAX# (886)2-2696-8786

WEBSITE: www.bobbintron.com

EMAIL: harry@bobbintron.com

BOBBINTRON ELECTRICAL CORPORATION**SWITCHING POWER SUPPLY****SPECIFICATION****MODEL: AP0431-T12 -01****ISSUED : 09/04/2012****REV : A****1. Input**

- 1.1 Rated input voltage range : 100Vac-240Vac (universal)**
- 1.2 Input voltage rating : 90Vac-254Vac**
- 1.3 Input Frequency : 47Hz to 63Hz**
- 1.4 Rated input current : 1.2 A (rms) max. for 115VAC
0.6 A (rms) max. for 230VAC**
- 1.5 MAX. In-rush current : 35 A MAX. @ 115VAC
70 A max. @ 230Vac
at 25 °C ambient cold start**

2. Output characteristics:

- 2.1 Output voltage : +5V , +12V , -12V**
- 2.2 Max. load current : 5.0A , 1A , 0.5A**
- 2.3 Min load current : 0A , 0A , 0A**
- 2.4 Tolerance : -5% ~ +5% , -10% ~ +10% , -5% ~ +5%**
Combined load on +5V and +12V output must be 0.4A or higher.

- 2.5 Output Ripple & Noise : 50mV , 120mV , 200mV**

*** Ripple & Noise test conditions :**

- (1) Measured by-pass capacitors 0.1uF / 10uF at output connector terminal
And oscilloscope set at 20 MHz. (tested by oscilloscope)**

3. General characteristics :

- 3.1 Max. output power :** 43 watts continuous.
- 3.2 Efficiency :** 75% (Minimum) at Maximum load, 220Vac.
- 3.3 Turn on delay :** 3 second max. at 100Vac
- 3.4 Hold up time :** 10ms Min. at max load 120VAC
- 3.5 Transient response :** output return within $\pm 10\%$ tolerance of nominal voltage within 1m sec.
for 50% load change, 120Hz 50% duty cycle.
- 3.6 Over voltage protection :** Auto recovery
- 3.7 Short circuit protection :** protection against short circuit for output

- 3.7.1 (1) Any protect condition shall cause no damage and no component fail.
(2) Automatic recovery when removal of protect condition.**

4. Environmental :

- 4.1 Operating temperature :** 0°C to 40 °C
- 4.2 Storage temperature :** -20°C to 80°C
- 4.3 Operating relative humidity :** 10% to 85%
- 4.4 Storage relative humidity :** 5% to 95%

- 5. Safety requirement :** (1) UL 60950-1
(2) PSE (under certification)
(3) CE

- 6. EMI requirement :** CISPR EN55022 class B rules.

7. Hi-pot test :

7.1 Primary to secondary : 4,242VDC for 1 sec. 10mA

8. Reliability

**8.1 MTBF : 50K hours min.
@ full load at 25°C ambient temperature.**

8.2 Altitude : up to 2000 meters above sea level

9. Mechanical :

**9.1 Dimensions (Ref.) : 140 mm long
75 mm width
41 mm height**

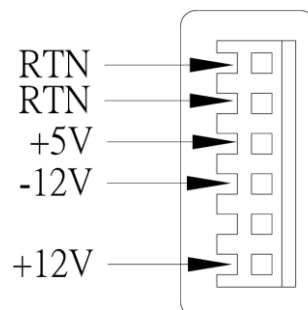
9.2 Weight (Ref.) : 500g

**9.3 Input connector : IEC320 C14
Color : Black**

**9.4 Output connector : CABLE : Length: 1830mm
PLUG : 6 PIN Molex
Color : Black**

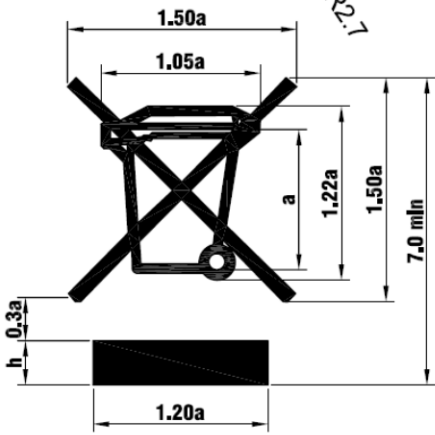
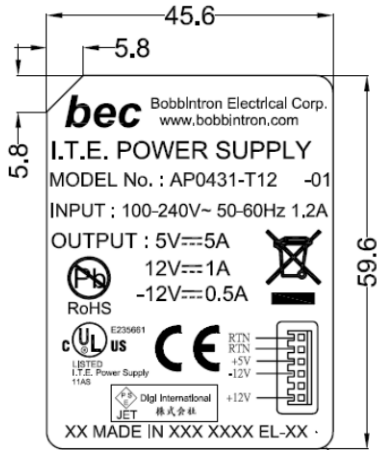
9.5 Pin Out configuration :

Location :



MARK	REV.	DESCRIPTION	DATE	ISSUED	APPROV.
	-		-	-	
	-		-	-	

CODE	FACTORY
	Bobbintron
HZ	GAIN SOUTH (Hui Zhou)



h=0.3a or 1mm min

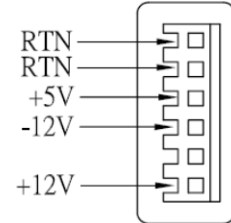
NOTES:

- 1.TOLERANCE: $\pm 0.1\text{mm}$
- 2.MATERIAL: Metalized Poly Ester (Silver) Natt NO.150 OPP
- 3.COLOR: BLACK TEXT ON SILVER BASE
- 4.PRINTING SHOULD BE FREE OF UNCLEAR PRINTING, PEELING AND SCRACHES
- 5.GLUE: TO MEET WITH UL APPROVAL

bec Bobbintron Electrical Corp.
www.bobbintron.com

I.T.E. POWER SUPPLY
MODEL No. : AP0431-T12 -01
INPUT : 100-240V~ 50-60Hz 1.2A
OUTPUT : 5V=5A
12V=1A
-12V=0.5A

RoHS



XX MADE IN XXX XXXX EL-XX

FACTORY CODE

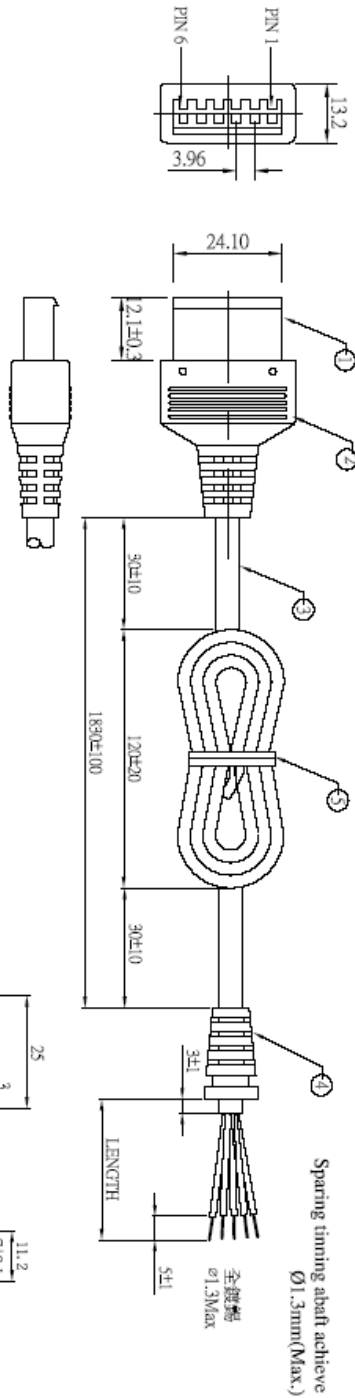
DATE CODE
XX XX
Year Month

廠商UL代碼

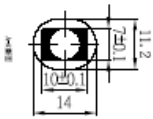
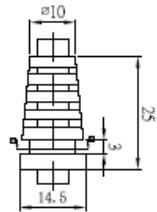
MADE IN TAIWAN OR CHINA CTRL BY OA

bec Bobbintron Electrical Corp. www.bobbintron.com		DESCRIPTION NAME PLATE		APPROVED
DIM.	TOL.	MATERIAL	MODEL NAME AP0431-T12 -01	E / E
~8	0.1		DWG NO. 101080102	CHECKED
8~25	0.12	QTY PCS/SET	PART NO.	DESIGNED Lillian 8/1/12
25~80	0.15	SCALE		
80~250	0.2	UNIT mm		
250~	0.3	SHEET OF		

REV	DESCRIPTION	BY	APP	DATE



PIN#	COLOR	SIGNAL	LENGTH
PIN1	黃色	RTN	55
PIN2	黑色	RTN	55
PIN3	紅色	+5V	55
PIN4	白色	-12V	75
PIN5	孔塞	KEY	-
PIN6	藍色	+12V	70



- 注:
- 電性測試
 - 耐壓測試:AC300V/秒,測試無異常;
 - 絕緣阻抗:DC 300V 50MΩ以上;
 - 導通測試:導通好、斷路、極性反。
- 二、DCR值:
L芯線DCR值:48mΩ max.

- 三、曲折測試:
電線與PO頭吊重200g以角度±60°,
頻率30回/分鐘,連續搖擺1000回不完
全斷線。
- 四、拉力測試:
電線與SR間吊重5kg,經過1分鐘
無斷線現象等異常。

5	扎帶	有鐵絲 黑 橢圓
4	SR	模具編號:ASR-6605 用料:黑色PVC
3	WIRE	UT-2464 18AWG*3C(紅,黑,黃)+20AWG*2C (藍,白) 黑剛印字 OD:5.8
2	膠模	模具編號:DM-PG-3355 用料:黑色PVC
1	housing	Molex09-50-3061/Terminal 08-52-0072

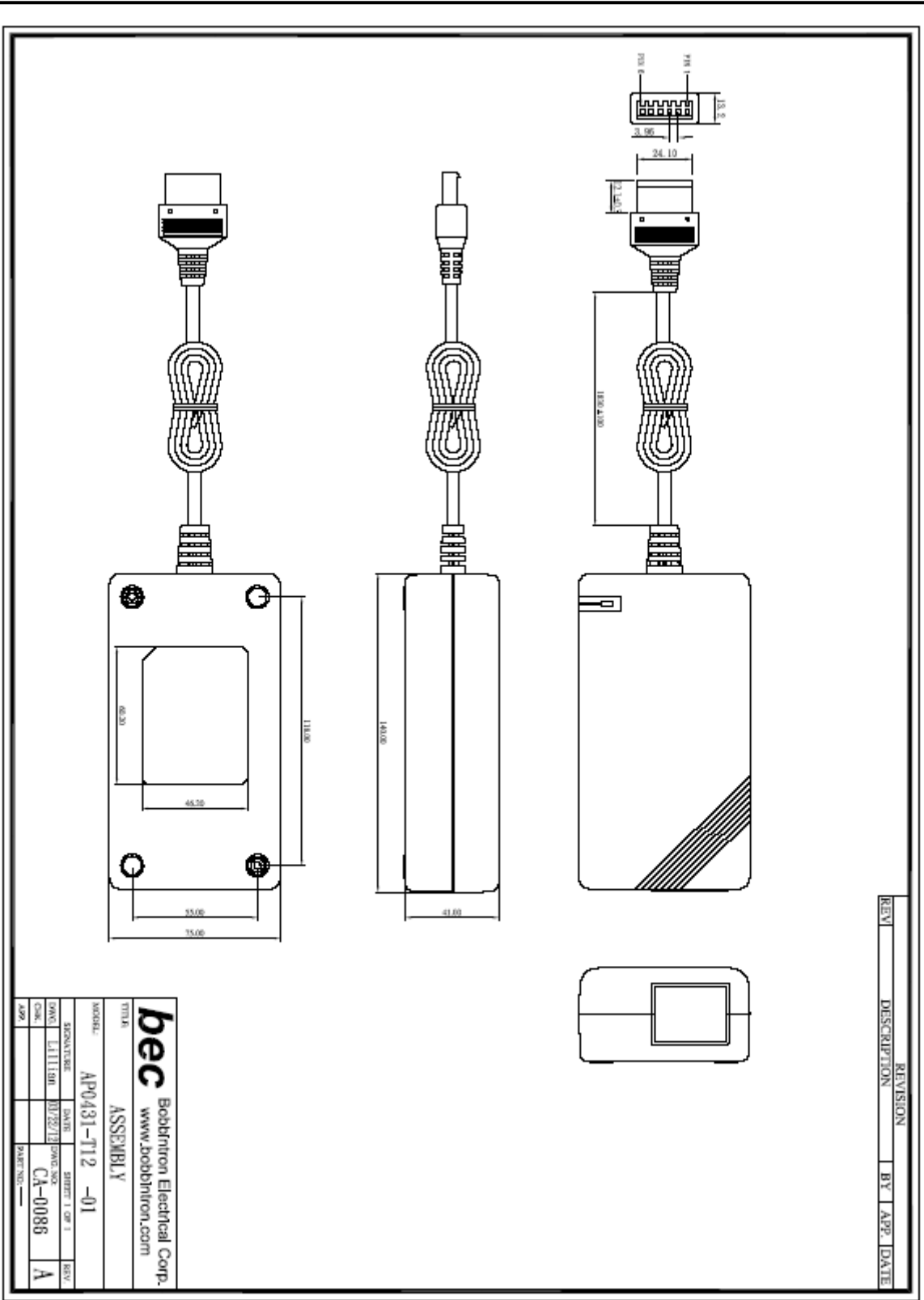
bec Bobbintron Electrical Corp.
www.bobbintron.com

MODEL: AP0431-T12 -01
TITLE: DC CORD

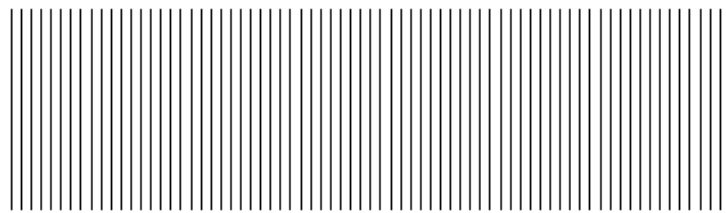
SIGNATURE	DATE	SHEET 1 OF 1	REV.
Lillian	2/22/12		

DWG.	DWG. NO.	REV.
	LI-0203	A

PART NO:G35-TL-0203-A



MARK	REV.	DESCRIPTION	DATE	ISSUED	APPROV.
	-	-	-	-	
	-	-	-	-	



P/N : (1P)24000115 A

YYWW

CoO:XXXX

年份 — 週數(01~52) — 產地 (TAIWAN OR CHINA CTRL BY OA)

P/N : (1P)24000115 A

版次(A~Z) 及()

條碼刷出時不需顯示

NOTES:

- 1.MATERIAL:銅版紙
0.072 THK.
- 2.COLOR:BLACK TEXT ON WHITE BASE
- 3.PRINTING SHOULD BE FREE OF UNCLEAR PRINTING,
PEELING AND SCRACHES
- 4.GLUE:TO MEET WITH UL APPROVAL
- 5.材質需符合ROHS
- 6.條碼CODE 128

bec Bobbintron Electrical Corp. www.bobbinttron.com		DESCRIPTION BAR CODE		APPROVED
DIM.	TOL.	MATERIAL	MODEL NAME	E / E
~B	0.1		AP0431-T12 -01	
B~25	0.12	FINISH	DWG NO.	CHECKED
25~80	0.15		NP-0363	
80~250	0.2	FILE NAME	PART NO.	DESIGNED Lillian
250~	0.3		REV. A	G38-1NP-0363-A