

# "High Frequency Ceramic Solutions"

## 900MHz 18dB Directional Coupler

P/N 0898CP14A035

Detail Specification: 6/6/2012

Page 1 of 3

General Specifications	
Part Number	0898CP14A035
Frequency (MHz)	880 ~ 915
Insertion Loss max.	0.28 dB
Return Loss min.	15.56
VSWR max.	1.4 max.
Coupling	18 dB $\pm$ 1dB
Phase Difference (deg)	180 $\pm$ 1.0
Isolation min.	26.0 dB
Operating Temperature	-40 to +85°C
Power Capacity max	2 Watts (CW)
Recommended Storage Conditions	+5 to +35 °C, Humidity 45~75%RH
Reel Quantity	4,000
Storage Period	18 months max.
MSL	1



Orderable P/N's	
Bulk (Loose)	0898CP14A035S
T&R (4000pcs)	0898CP14A035T
EVB	0898CP14A035-EB-SMA

Mechanical Dimensions		
	In	mm
L	0.063 $\pm$ 0.004	1.60 $\pm$ 0.10
W	0.031 $\pm$ 0.004	0.80 $\pm$ 0.10
T	0.024 $\pm$ 0.004	0.60 $\pm$ 0.10
a	0.008 $\pm$ 0.004	0.20 $\pm$ 0.10
b	0.008 + 0.004/-0.006	0.20 + 0.1/-0.15
c	0.006 $\pm$ 0.004 /-0.2	0.15 $\pm$ 0.10
g	0.012 $\pm$ 0.004	0.30 $\pm$ 0.10
p	0.020 $\pm$ 0.002	0.50 $\pm$ 0.05

Terminal Configuration	
No.	Function
1	IN (Signal Input)
2	GND
3	COUPLED OUT
4	TERMINATION (50ohm)
5	GND
6	MAIN OUT (Signal Through)

Johanson Technology, Inc. reserves the right to make design changes without notice. Please confirm the specifications and delivery conditions when placing your order. All sales are subject to Johanson Technology, Inc. terms and conditions.



[www.johansontechnology.com](http://www.johansontechnology.com)

4001 Calle Tecate • Camarillo, CA 93012 • TEL 805.389.1166 FAX 805.389.1821

2012 Johanson Technology, Inc. All Rights Reserved

# "High Frequency Ceramic Solutions"

900MHz 18dB Directional Coupler

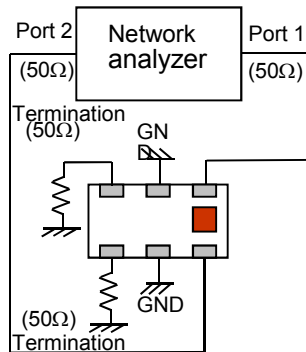
P/N 0898CP14A035

Detail Specification: 6/6/2012

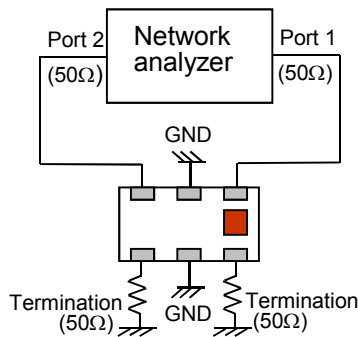
Page 2 of 3

## Measuring Diagram

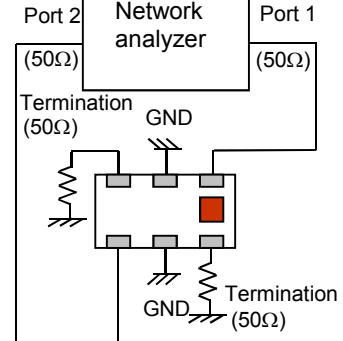
### Attenuation



### Coupling

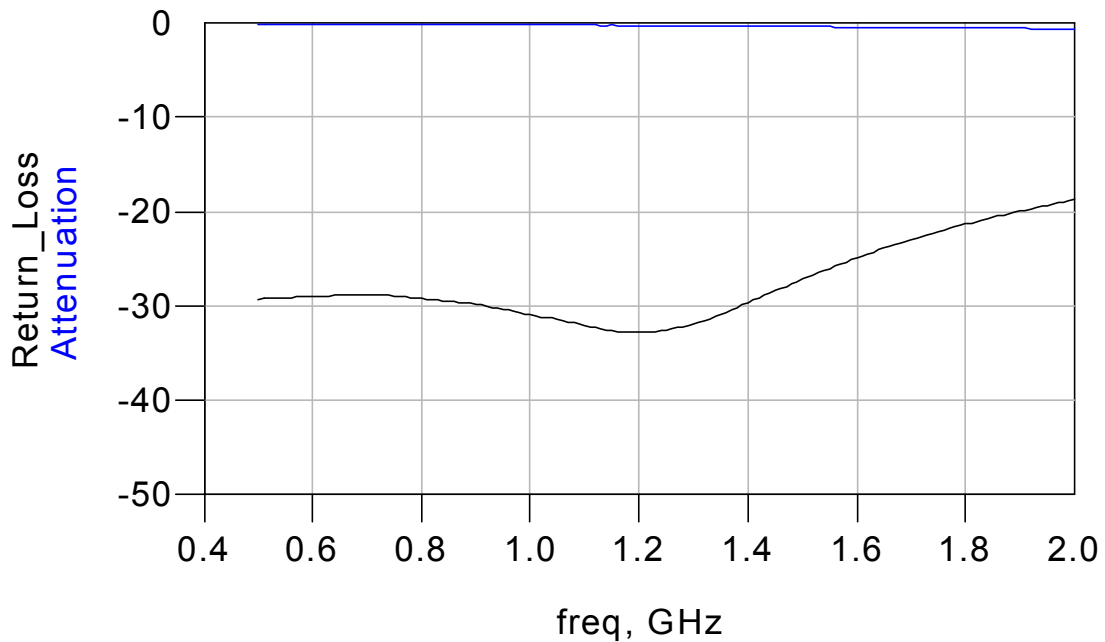


### Isolation



## Typical Electrical Performance (T=25°C)

### Attenuation and Return Loss



Johanson Technology, Inc. reserves the right to make design changes without notice. Please confirm the specifications and delivery conditions when placing your order. All sales are subject to Johanson Technology, Inc. terms and conditions.



[www.johansontechnology.com](http://www.johansontechnology.com)

4001 Calle Tecate • Camarillo, CA 93012 • TEL 805.389.1166 FAX 805.389.1821

2012 Johanson Technology, Inc. All Rights Reserved

# "High Frequency Ceramic Solutions"

900MHz 18dB Directional Coupler

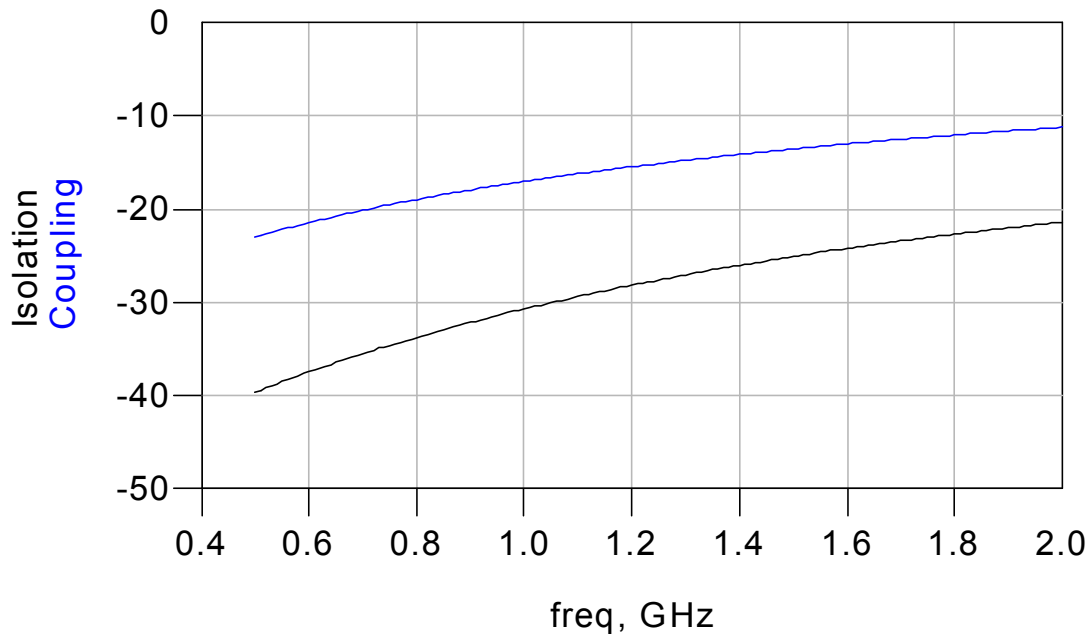
P/N 0898CP14A035

Detail Specification: 6/6/2012

Page 3 of 3

## Typical Electrical Performance (T=25°C)

### Coupling and Isolation



## Mounting Considerations

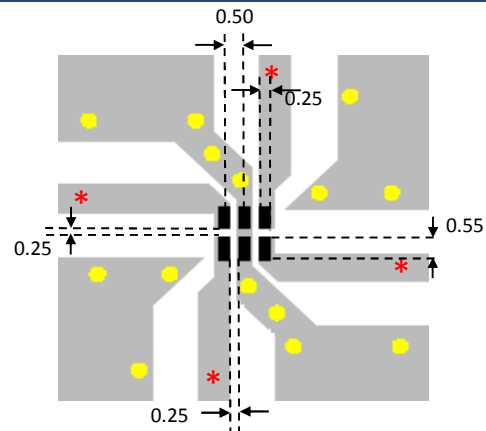
Mount these devices with brown mark facing up.

\* Line width should be designed to match 50Ω characteristic impedance, depending on PCB material and thickness.

### LEGEND

- Solder
- Land
- Through-hole (φ0.3)

Unit : mm



Evaluation Board p/n: 0898CP14A035-EB-SMA

Johanson Technology, Inc. reserves the right to make design changes without notice. Please confirm the specifications and delivery conditions when placing your order. All sales are subject to Johanson Technology, Inc. terms and conditions.

[www.johansontechnology.com](http://www.johansontechnology.com)

4001 Calle Tecate • Camarillo, CA 93012 • TEL 805.389.1166 FAX 805.389.1821

2012 Johanson Technology, Inc. All Rights Reserved