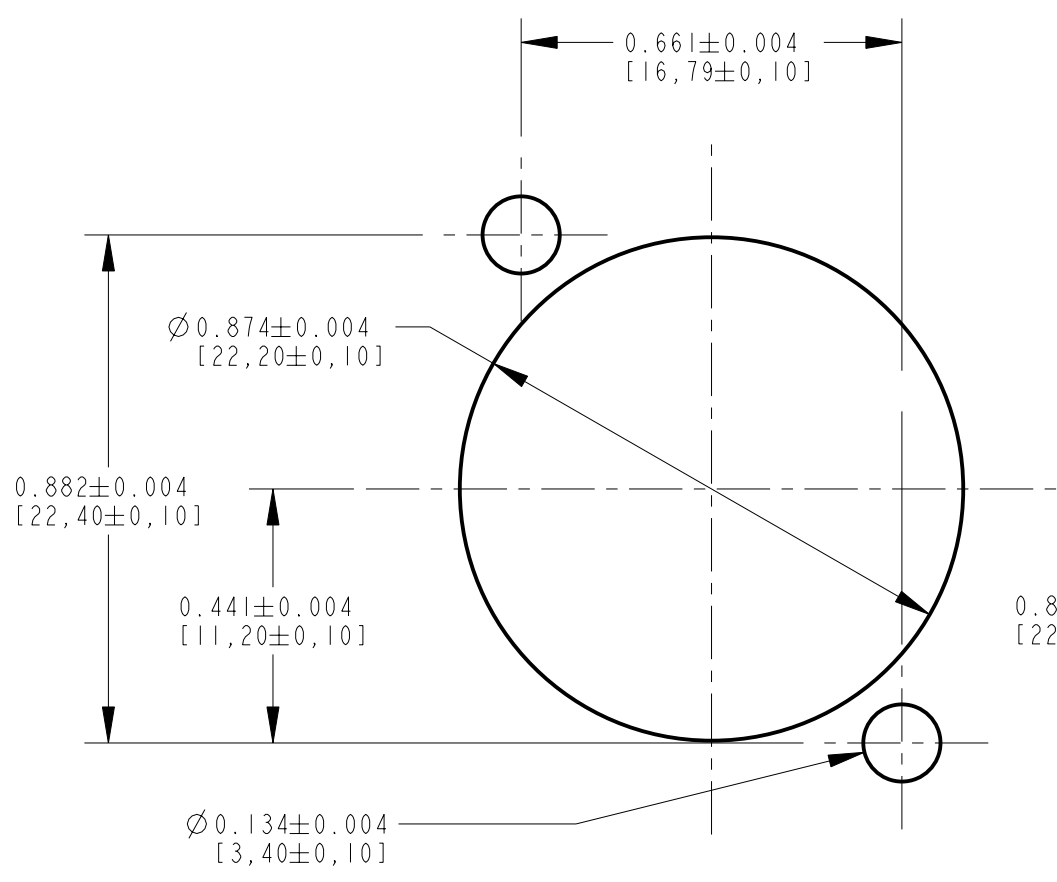
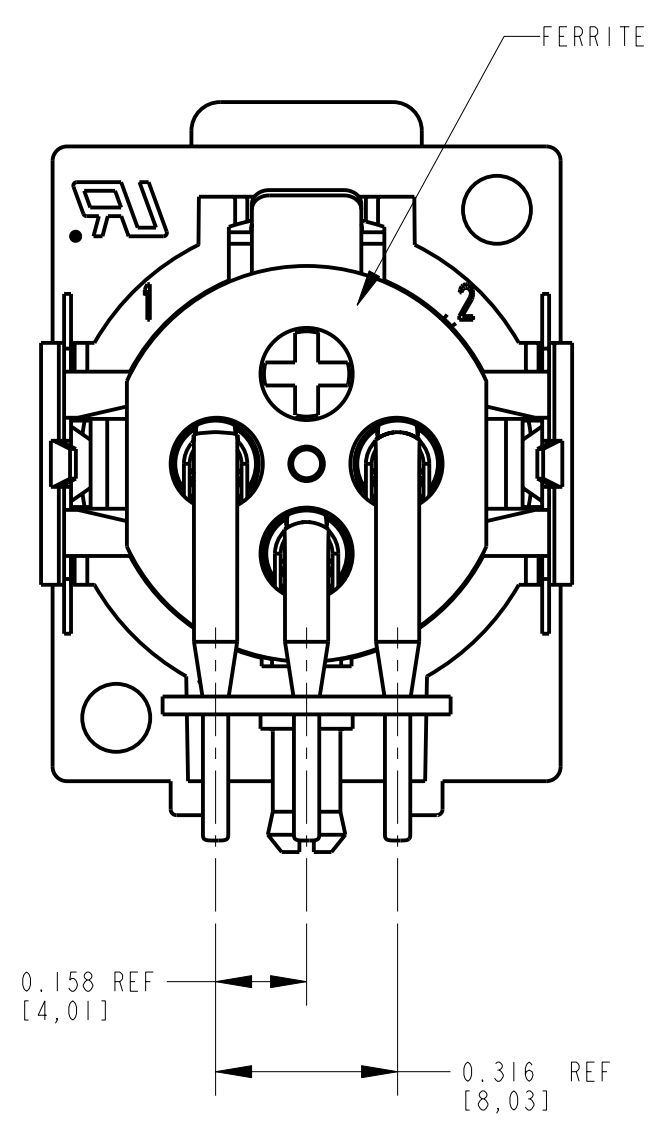
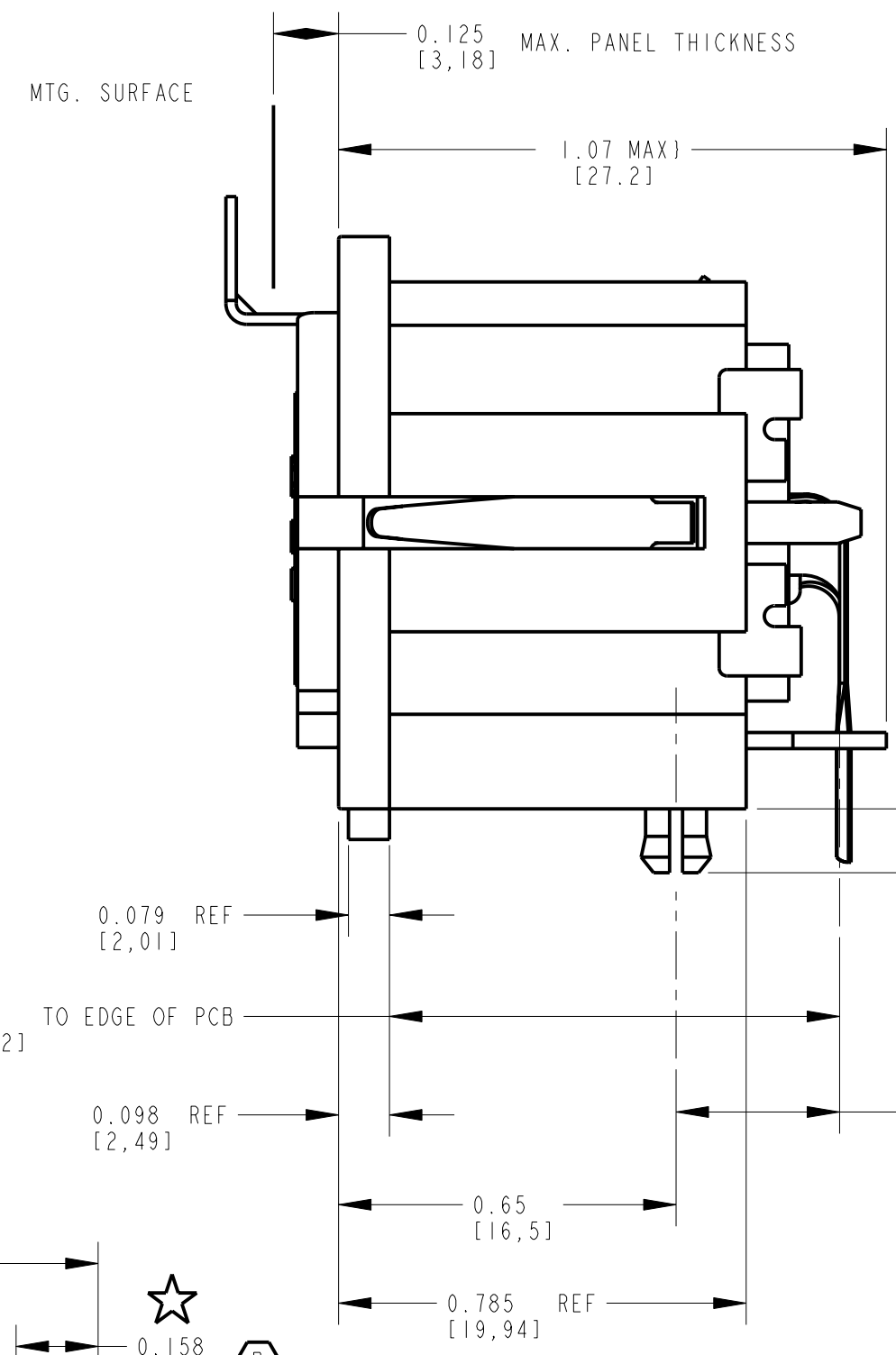
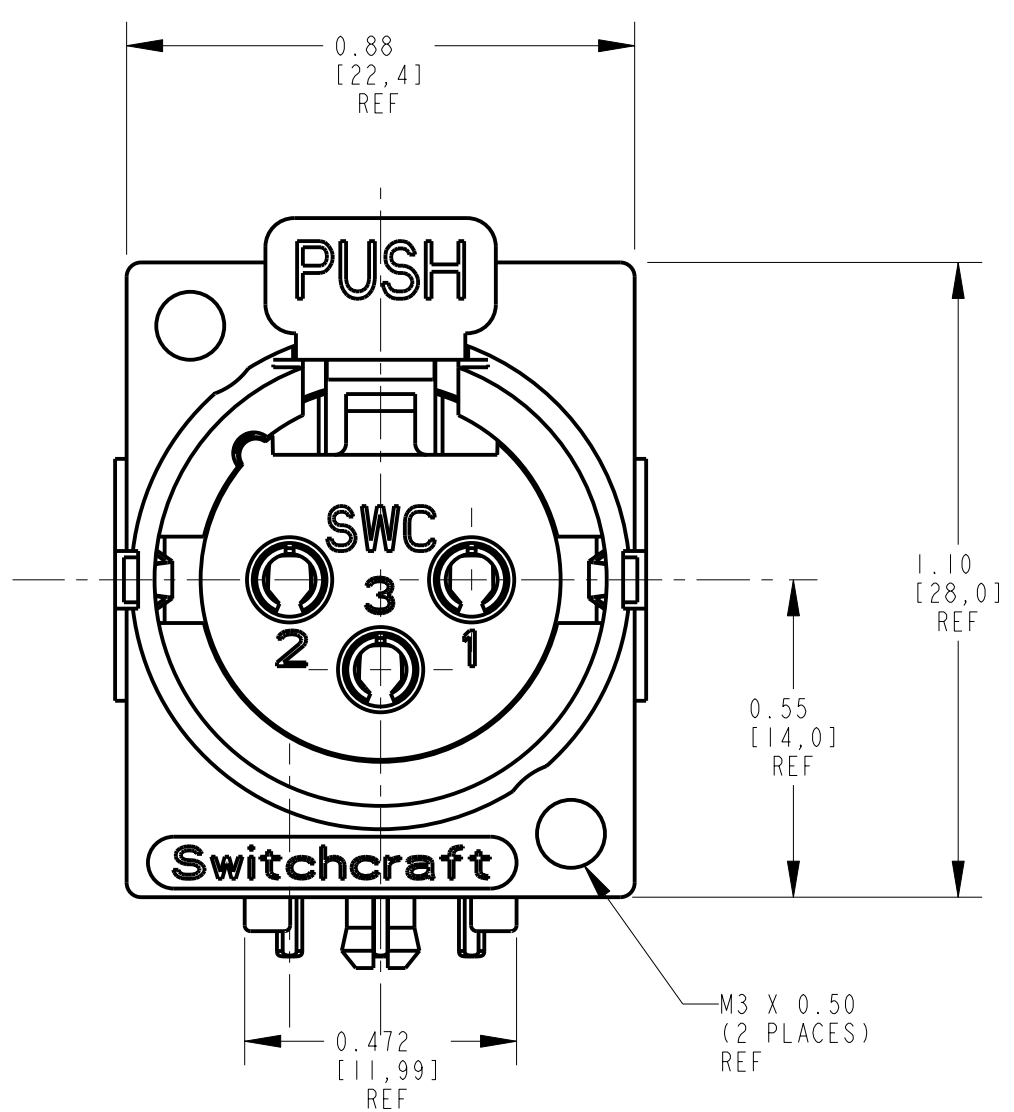


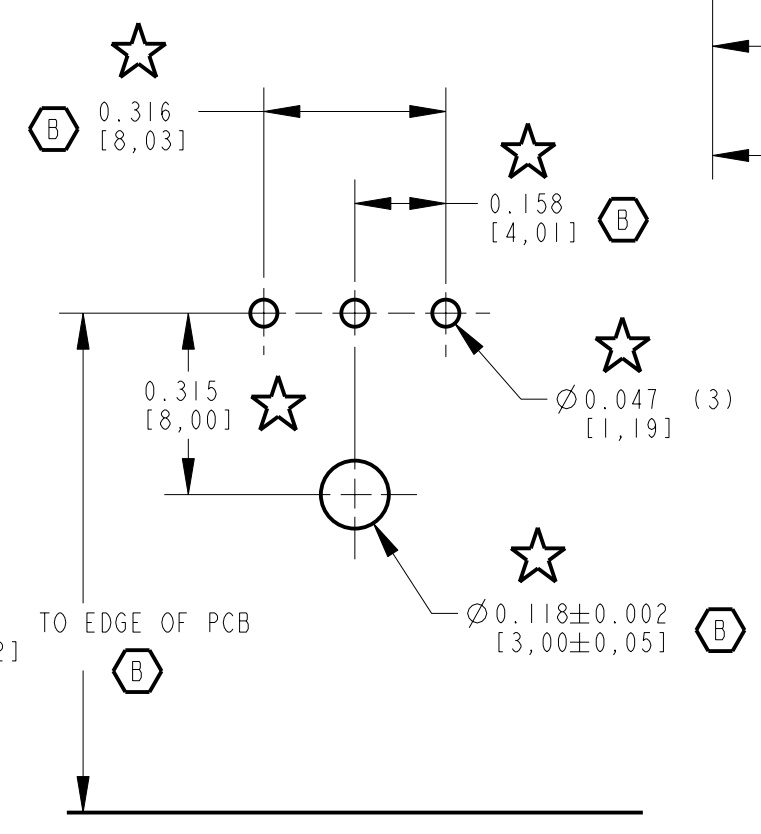
MATERIALS:

HOUSING - ZINC ALLOY, NICKEL PLATED
 CONTACTS - COPPER ALLOY, SILVER PLATED
 INSULATOR - THERMOPLASTIC, UL 94V-0 RATED
 INSULATING SPACER - PHENOLIC
 GROUND PIN - COPPER ALLOY, TIN PLATED
 GROUND SPRING - HEAT TREATED STEEL OR COPPER ALLOY, TIN PLATED
 RELEASE LEVER - C.R.S., NICKEL PLATED
 LATCH SPRING - HEAT TREATED STEEL, NICKLE PLATED
 FERRITE - NICKEL ZINC, K-100
 RATED CURRENT - 3 AMP
 SERVICE VOLTAGE - 133 VAC

RELEASE LEVER THROW 0.100 [2,5]



RECOMMENDED MOUNTING PANEL LAYOUT



RECOMMENDED P.C. BOARD LAYOUT
 (0.062 [1.57] THICK P.C. BOARD REF.)

CUSTOMER DRAWING

☆ STAR SYMBOL DENOTES CRITICAL DIMENSION UNLESS OTHERWISE SPECIFIED 1. ALL DIMENSIONS IN INCHES - TWO PLACE DECIMALS ±0.01 - THREE PLACE DECIMALS ±0.005 - ANGLES ±1° - ALL DIA. CONCENTRIC WITHIN 0.005 T.I.R. 2. FEATURES ON THE SAME CENTERLINE MUST BE ALIGNED WITHIN ±0.002 3. REMOVE ALL BURRS DO NOT SCALE DRAWING					THIS DRAWING DESCRIBES A DESIGN CONSIDERED PROPRIETARY IN NATURE, DEVELOPED AND MANUFACTURED BY SWITCHCRAFT INC. AND IS RELEASED ON A CONFIDENTIAL BASIS FOR IDENTIFICATION PURPOSES ONLY.				
SIZE		WIDTH		MULT		LBS/M		TEMPER	
FINISH SPEC No.					MATERIAL SPEC No.				
FIRST USED ON					SCALE 3:1				
DATE DRAWN	BY	CHKD	APVD						
21-Jan-02	KJB	TJK	KJB	SHEET 1 OF 1					
NAME			PART No.			REV			
FEMALE 3 PIN QG RA/PC W/FERRITE			F3FRAF			B			