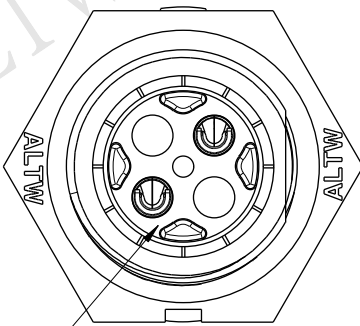


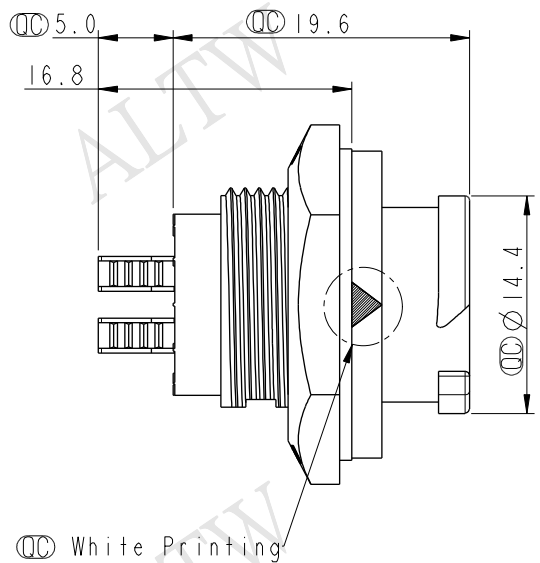
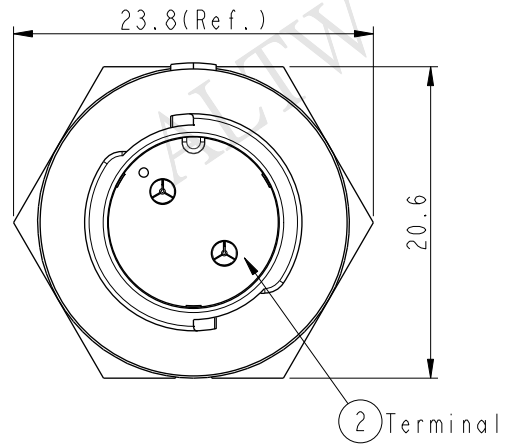
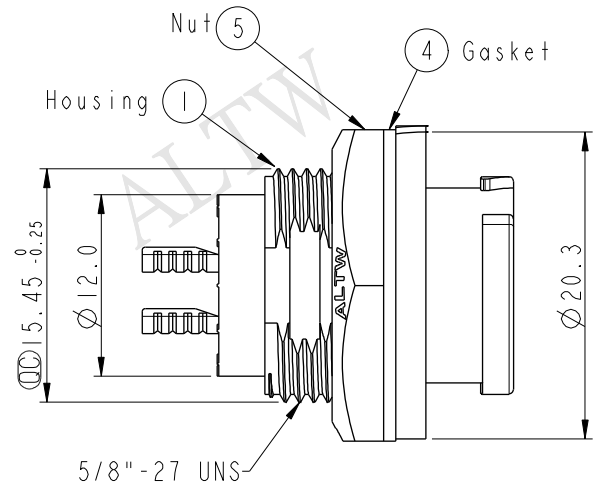
THIS DOCUMENT IS SUBJECT TO CHANGE WITHOUT NOTICE. IT IS CONFIDENTIAL AND A PROPERTY OF Amphenol LTW. DISCLOSURE TO THIRD PARTY HAS TO BE AUTHORIZED BY Amphenol LTW.

REV.	ECN NO.	DATE	SIGN	DESCRIPTION

ALTW
 CONFIDENTIAL
 2014-09-12
 R&D DEPT.

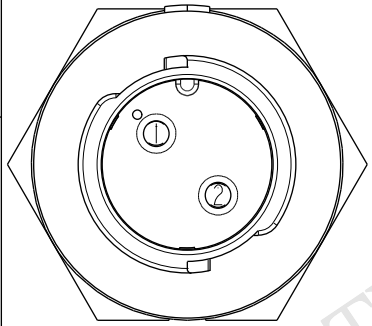


With Liquid Glue

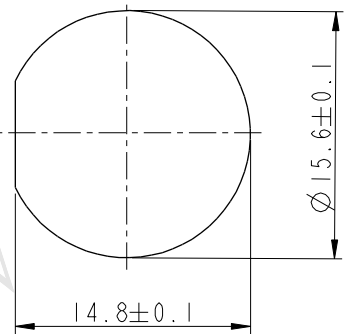


ALTW
 DCC DEPT.
 CONFIDENTIAL
 2014.11.26
 ISSUED

- Note:
- * \varnothing Important Dimension To Check.
 - * Waterproof Rate: IP68
 - * Working Voltage Rating: AC 300 V
 - * Working Current Rating: 10A
 - * Flame Class: UL94V-0 (UV Resistance)
 - * Housing: Nylon+GF, Black
 - * Male Pin: Copper Alloy, Gold Plated
 - * Nut: Nylon+GF, Black
 - * Gasket: Silicone, Gray
 - * Panel Thickness Maximum: 4.5mm



Pin Assignments
Front View



Recommended Panel Cut-out

UNIT:mm		
TOLERANCE	X	±0.25

TITLE X Lok B-Size Receptacle M Conn M 2 Pin			
SCALE	SIZE	SHEET	OF
2:1	A4	1	1
REV.	WC-REV.	QC: Inspection item	
A	A.2		

Amphenol LTW
 安費諾亮泰企業股份有限公司

ITEM NO	BB-02RMMS-QC8001	DRAWN BY	Micky	DATE	2014-09-12
DWG NO	BB-02RMMS-QC8001	CHECKED BY	Spring	DATE	2014-09-12
CUSTOMER	ALTW	APPROVED BY	Kevin	DATE	2014-09-12